

GENEALOGIES OF AMAN-NAMKAJ MEN'S HOUSE GROUPS

In these simplified genealogies, the relationships of the main occupants of the doorway sections of the men's houses in Aman-Namkaj are shown. Genealogies are traced to the oldest living married man in a particular line. Younger siblings and children of such men are not shown, except where they are the sole occupants of a particular fireplace section. Deceased individuals who do not have married male descendants in Aman-Namkaj are not shown.

▲ Deceased

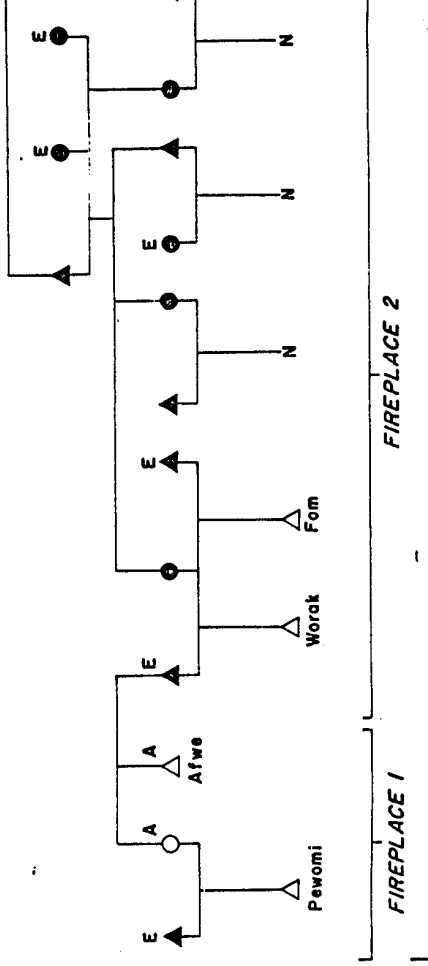
△ Living

E Exogamous - spouse comes from outside men's house group.

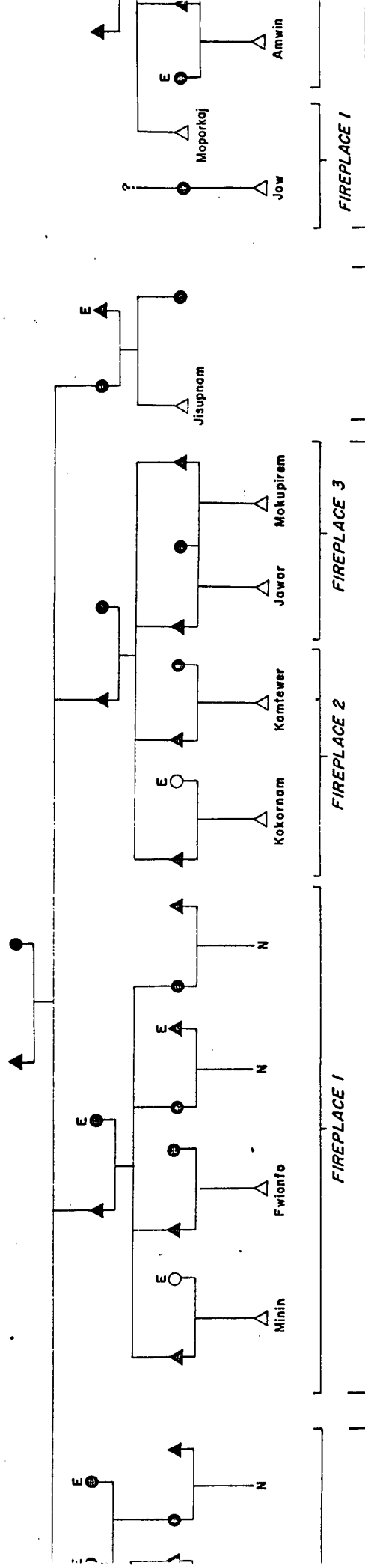
N No succession - children do not succeed to this doorway section.

A Affinal - individuals, invariably from another village, who occupy a doorway section by reason of an affinal link.

NAMKAJ



NAMKAJ A



NAMKAJ C

NAMKAJ B

FIREPLACE 1

FIREPLACE 3

FIREPLACE 2

FIREPLACE 1

Jow

Moporkoj

Amwin

Jisupnam

Mokupirem

Jawor

Kamfewer

Kokornam

N

N

Fwionfo

Minin

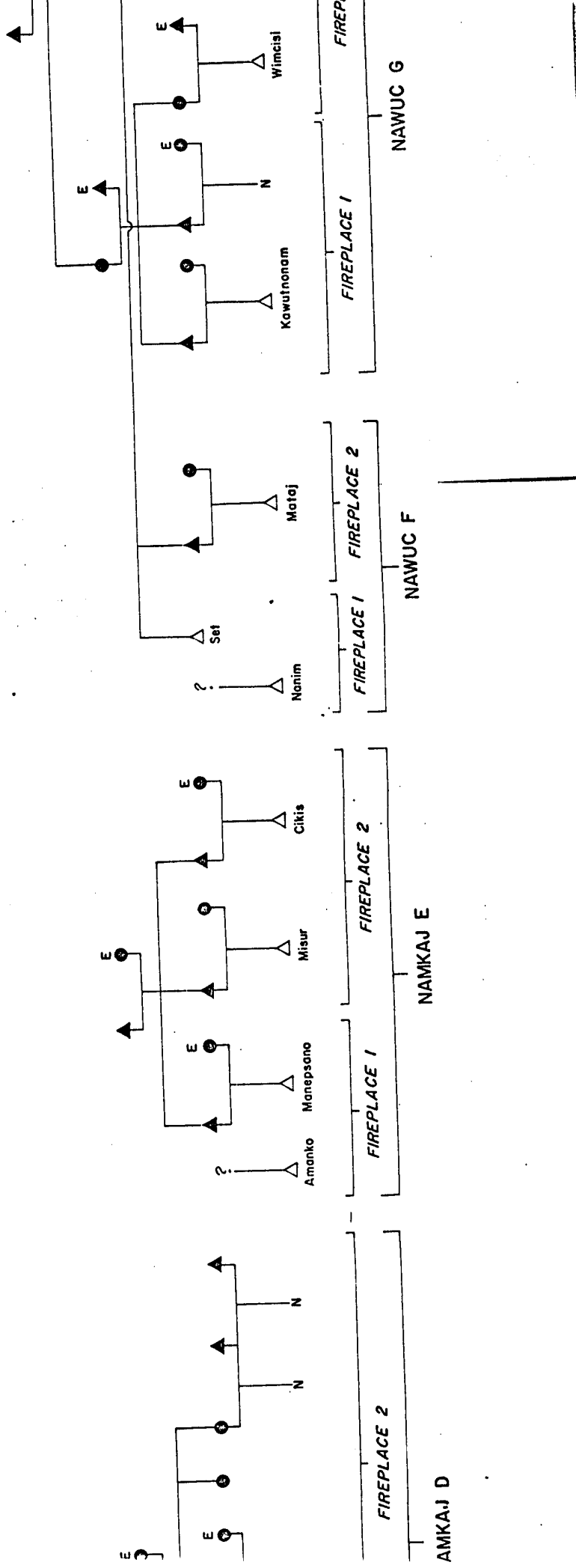
N

E

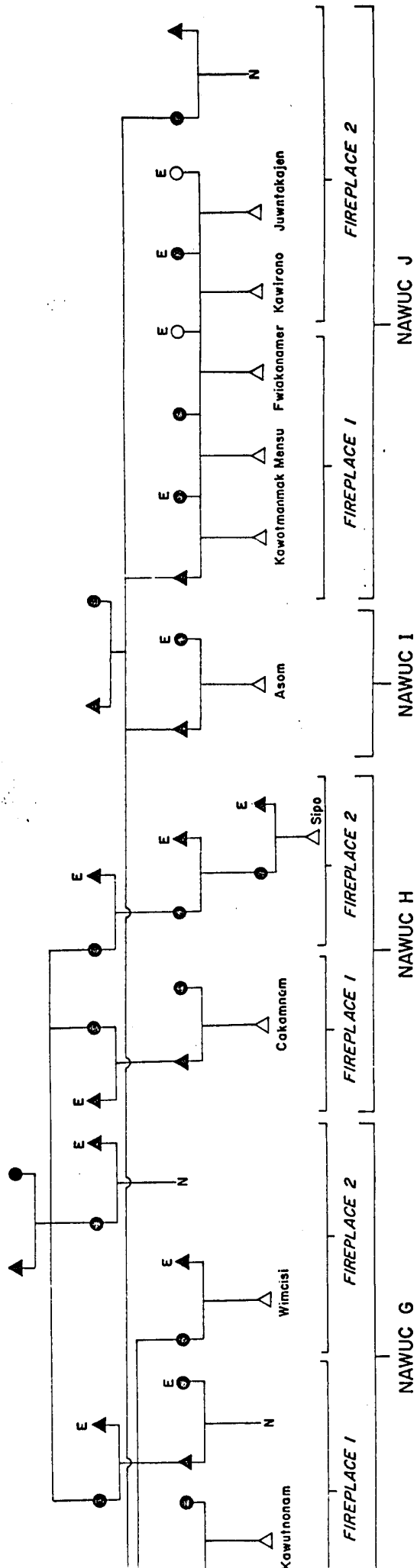
N

E

N

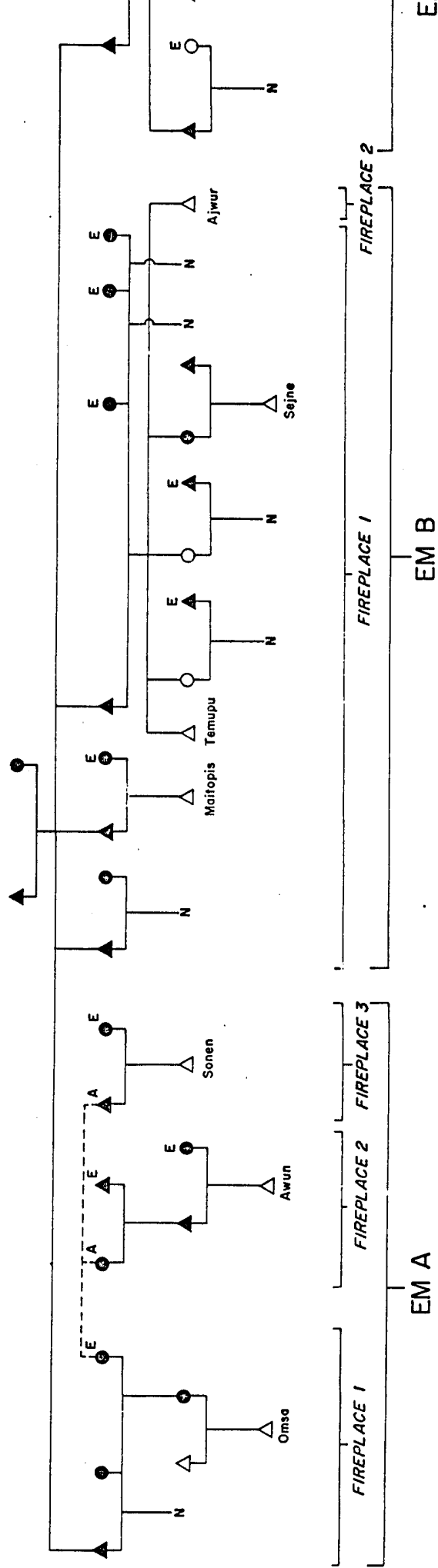


122222222222222222

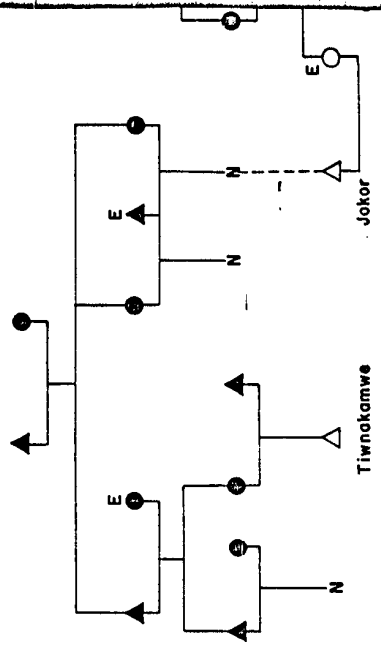


122222222222222222

MAN



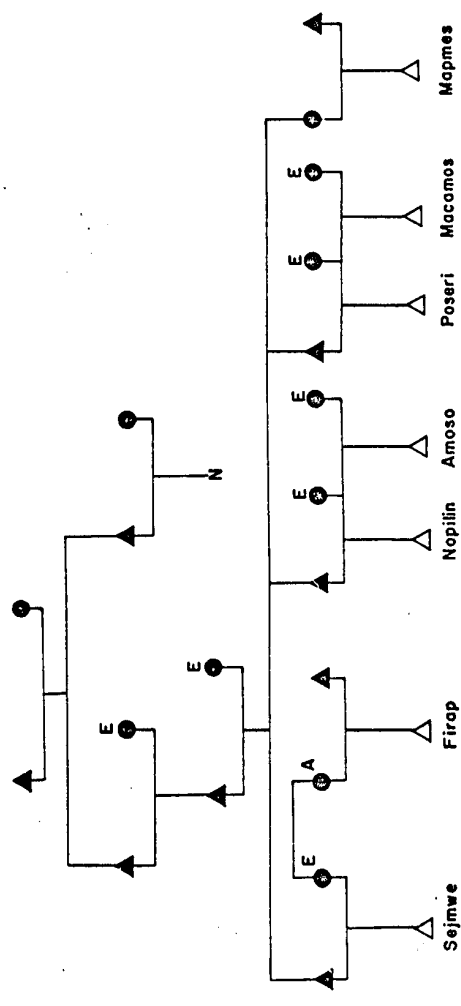
(Individuals linked by dashes are all refugees from the extinct village of ESIN. Their precise relation to one another is not clear.)



FIREPLACE 1

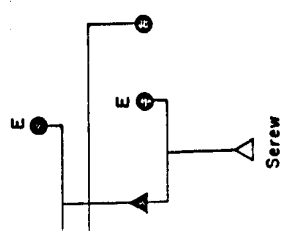
AMAN E

(Jokor appears to have returned from AC to affiliate his father's mother's group. With him came his wife and her kinsmen from ANIW - an extinct village.)

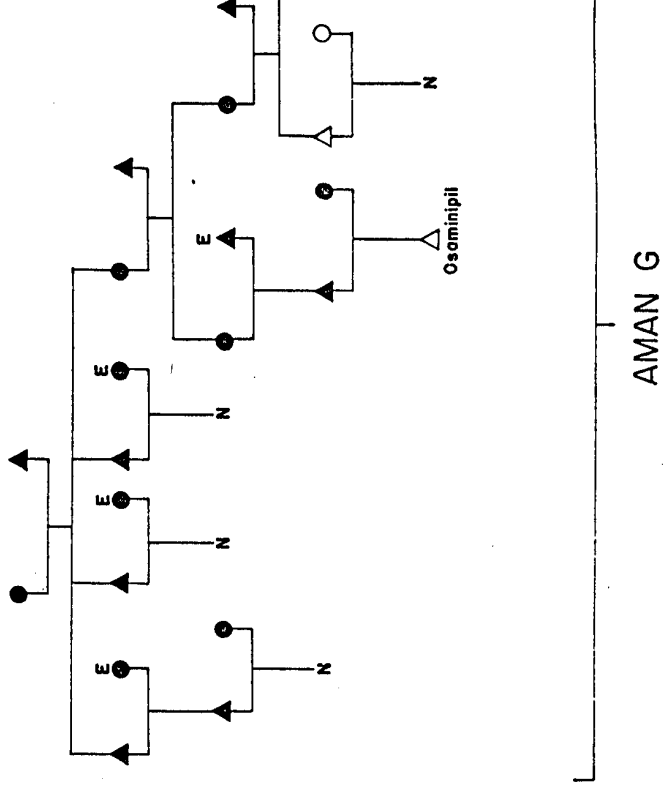


FIREPLACE 2

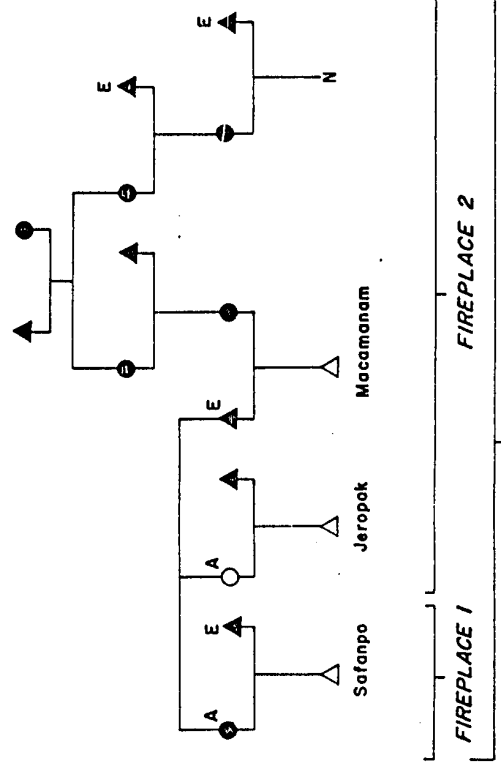
EM D



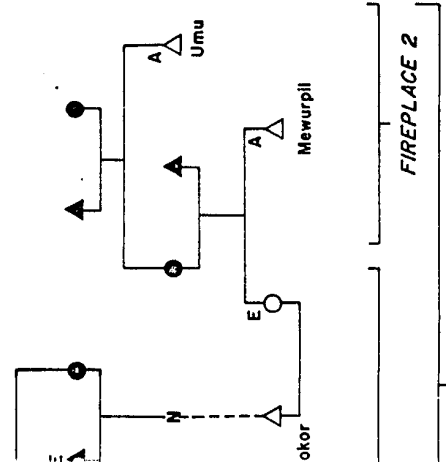
EM C



AMAN G

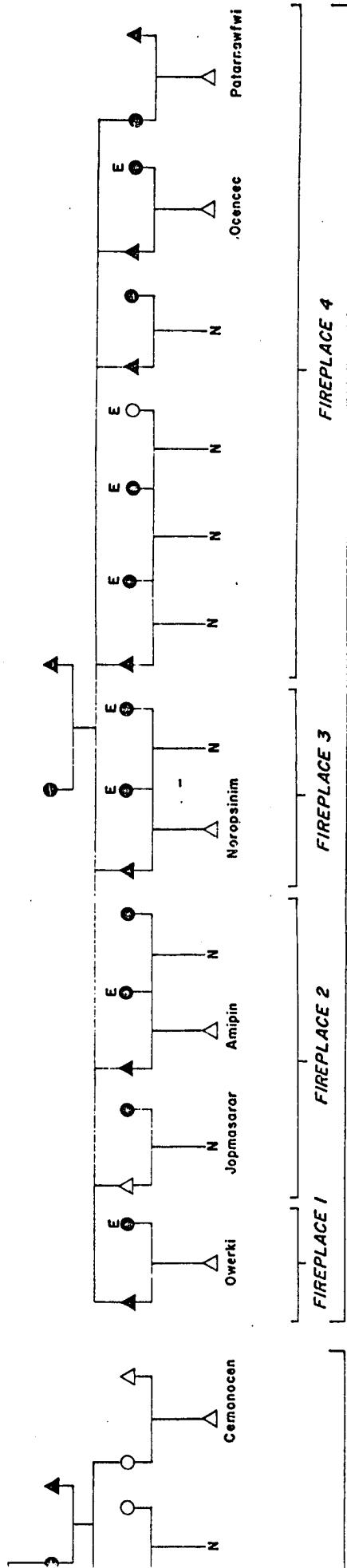


AMAN F



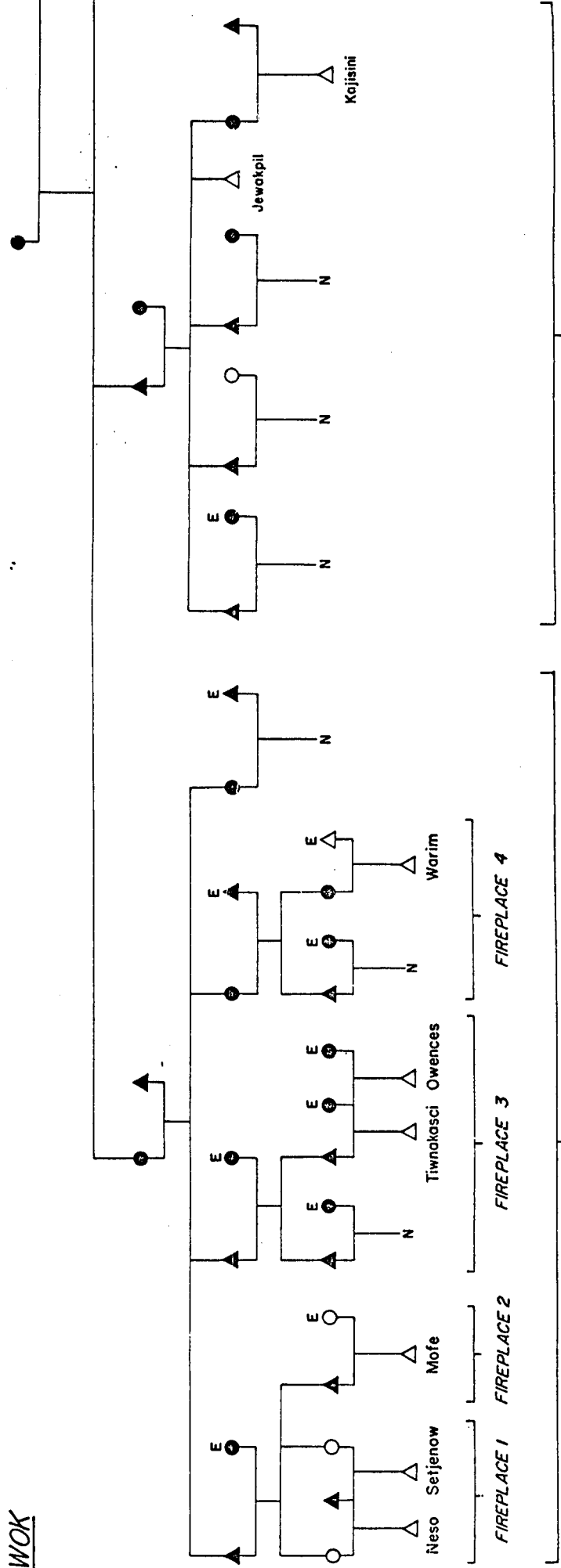
AMAN E

rom AC to affiliate with
h him came his wife and
nct village.)



AMAN H

AWOK



AJAWER B

AJAWER A

FIREPLACE 1

FIREPLACE 2

FIREPLACE 3

FIREPLACE 4

Neso Setjenow

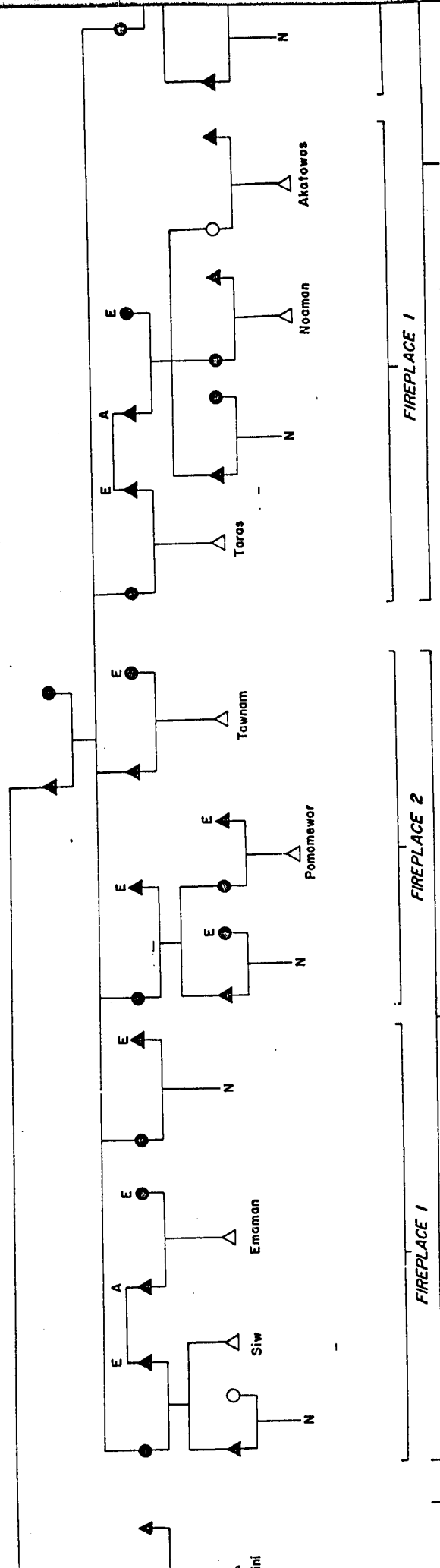
Mofe

Tiwnakosci Owences

Warim

Kajisiri

Jewakpil



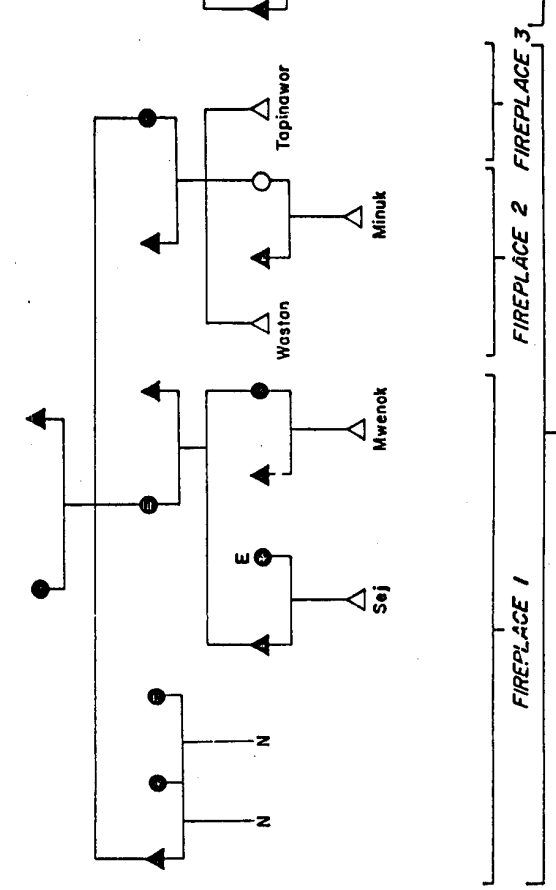
AJAWER D

FIREPLACE 1

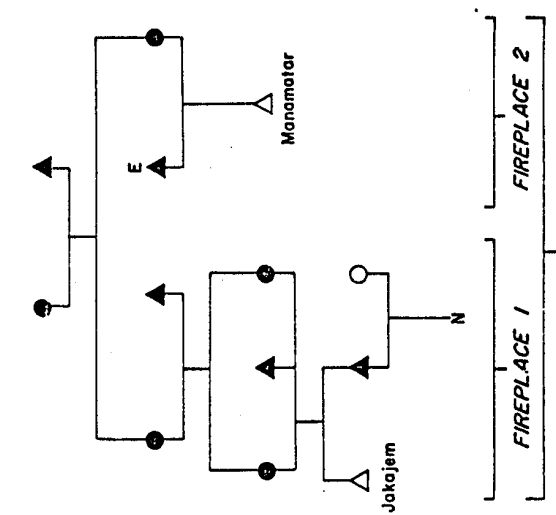
FIREPLACE 2

AJAWER C

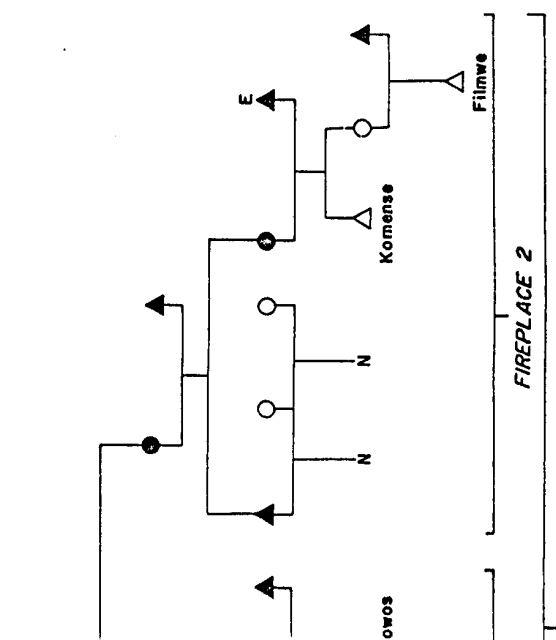
FIREPLACE 1



AWOK F



AWOK E



WER D

